



COVER SIZE CHART

The below measurements are a guide. Fitment may vary from bike to bike depending on accessories. If no cover matches your exact dimensions, choose the next size up.

HOW TO MEASURE:

Length: Maximum length of front tire to rear tire / rear top box / rear fender. Whichever makes contact with cover.

Measure from front to back across the longest parts of your motorcycle. Measure in a straight line without any contours or bends.

Front Width: Maximum width of handlebar, mirror or faring. Whichever is wider.

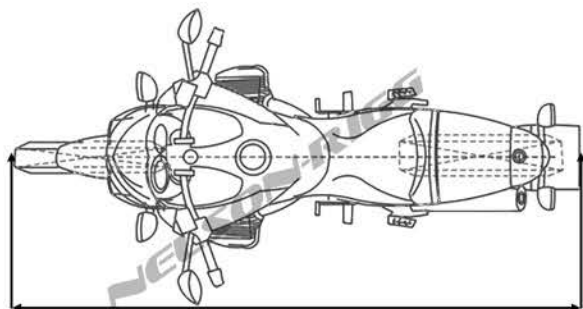
Rear Width: Maximum width of seat, fairing, for top case, or saddlebags. Whichever is wider.

Measure from left to right across the widest part of your motorcycle. Measure in a straight line without any contours or bends.

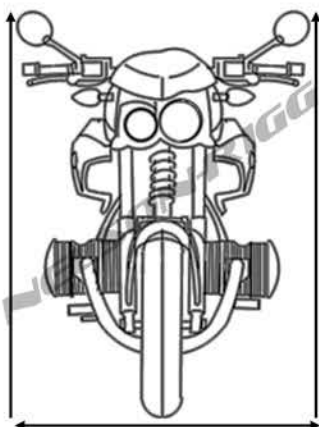
Front Height: Maximum height of windshield, mirrors or handlebars. Whichever is taller.

Measure from the tallest point of your motorcycle to about the bottom of your brake rotor.

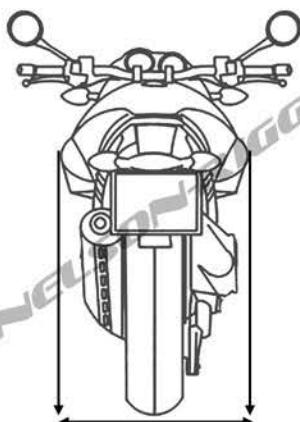
If you have a top case or tour trunk, please consider our ADV or XXL size cover.



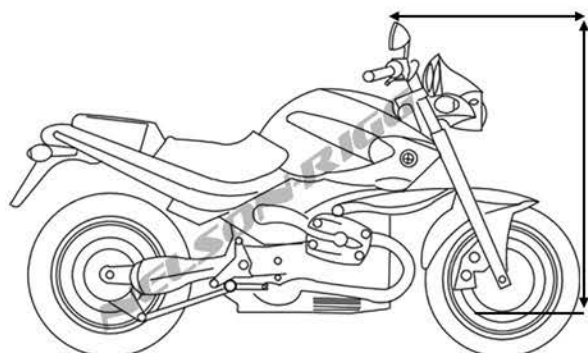
LENGTH



FRONT WIDTH



REAR WIDTH



FRONT HEIGHT

EXTREME SERIES	Length	Front Height	Width Front	Width Rear
Medium	90"	54"	36"	22"
Large	94"	56"	36"	24"
X-Large	98"	58"	36"	34"
XX-Large	112"	68"	46"	36"
Sport	88"	46"	34"	26"
ADV	98"	64"	36"	40"
DELUXE SERIES	Length	Front Height	Width Front	Width Rear
Medium	86	54	36	20
Large	90	56	36	22
X-Large	94	56	36	30
XX-Large	108	68	46	36
Half Covers	Length	Front Height	Width Front	Width Rear
UV-2000 M	70"	34"	42"	18"
UV-2000 L	84"	38"	42"	20"
UV-2000 XL	90"	38"	50"	32"
Route 1	90"	38"	50"	32"
Utility	Length	Front Height	Width Front	Width Rear
UTV 2 Seat	134"	64"	72"	64"
UTV 4 Seat	157"	74"	70"	74"
ATV	98"	48"	50"	50"
SCOOTER	Length	Front Height	Width Front	Width Rear
Medium	74"	58"	32"	20"
Large	82"	60"	34"	22"